



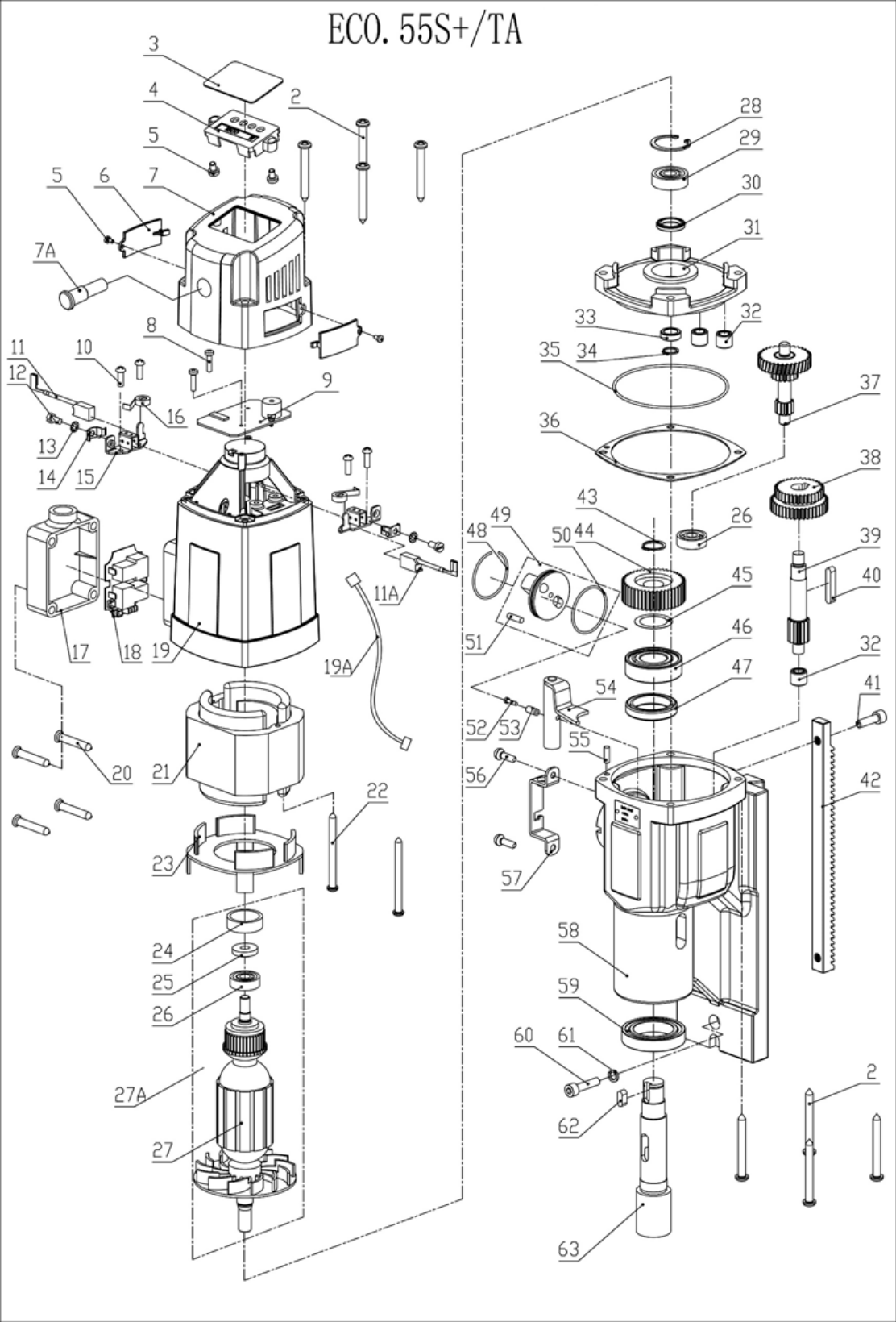
Automatic magnetic drilling machine
with 2-way electromagnet

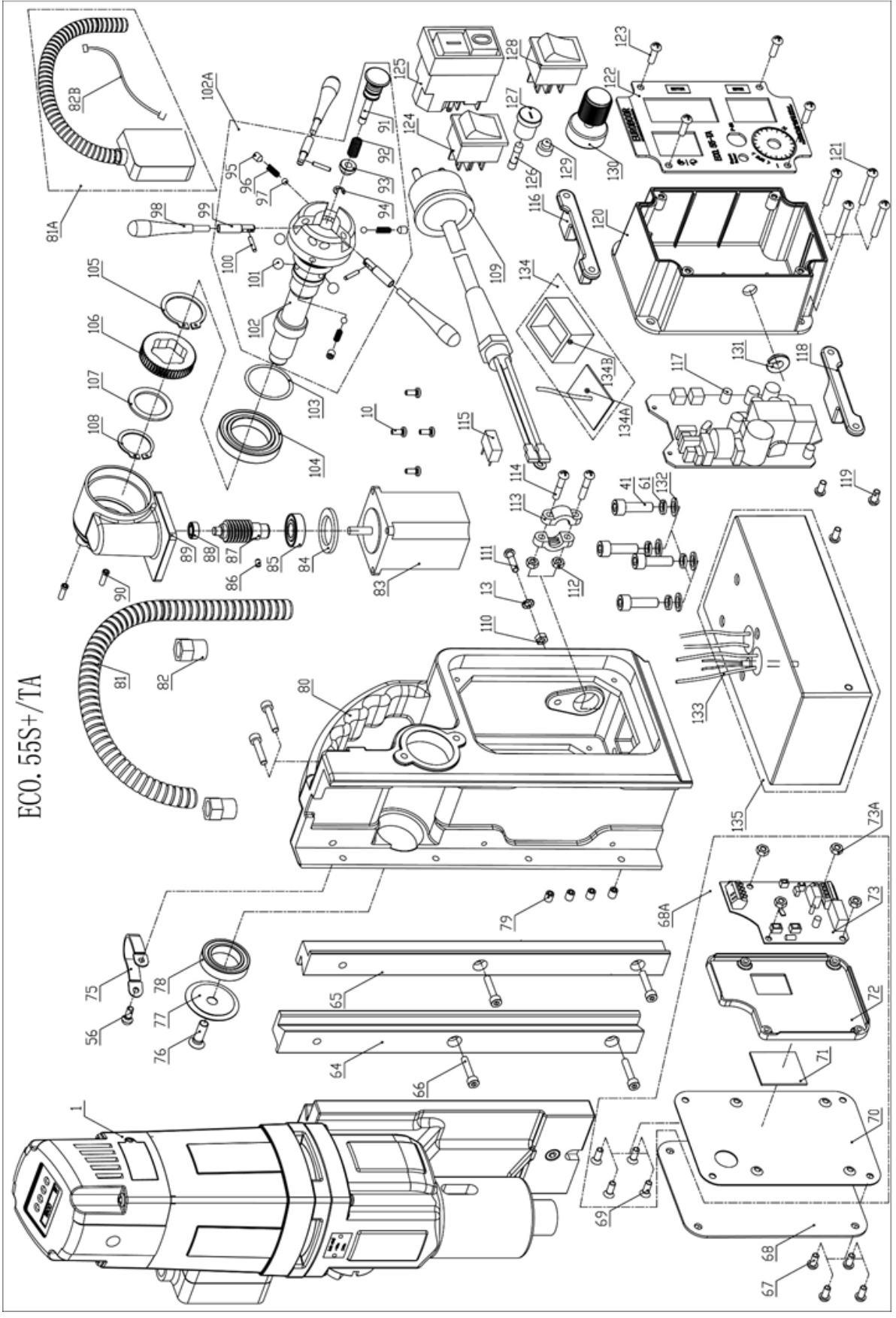
ECO.55S+/TA



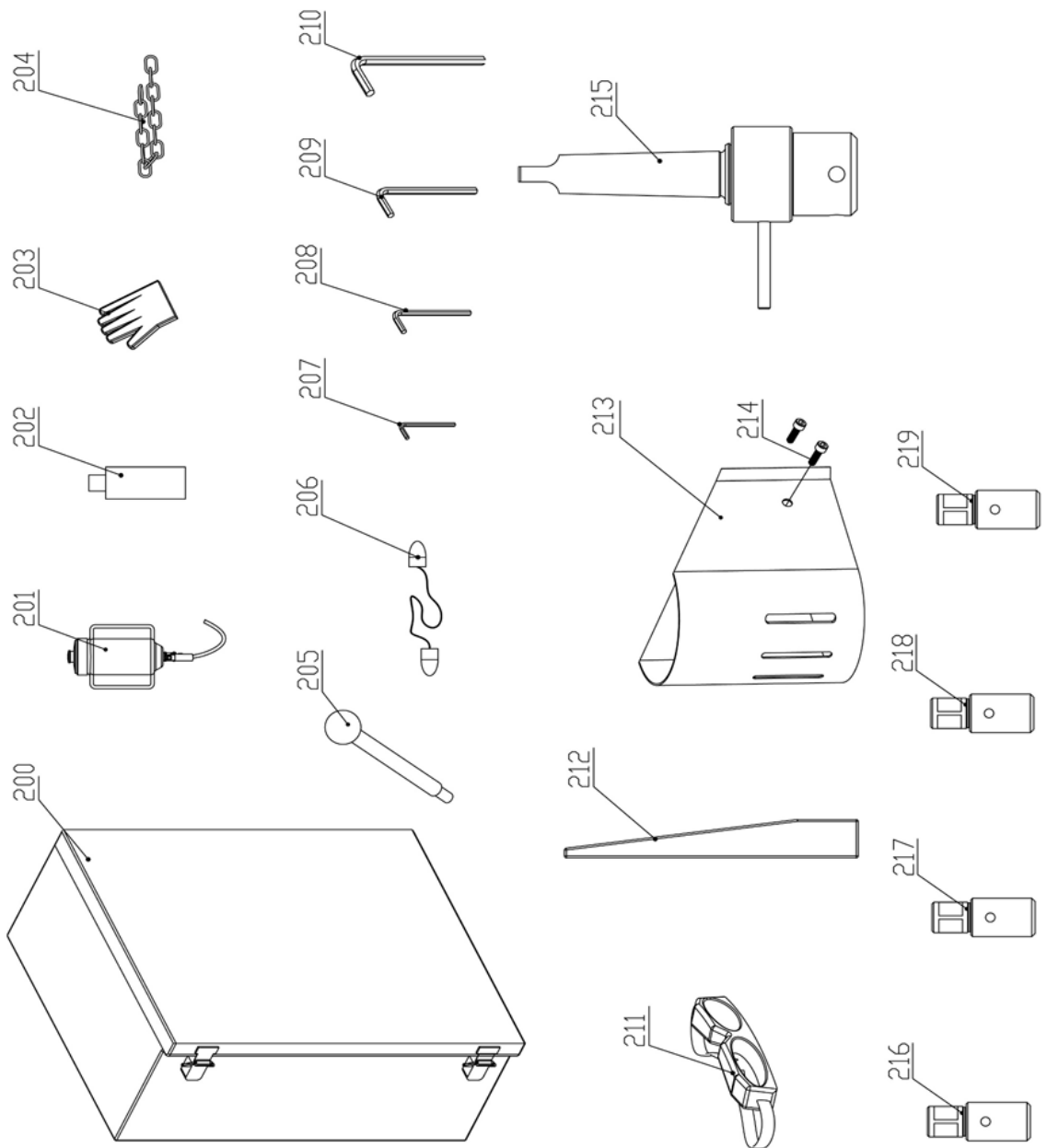
8. Exploded views & spare parts list

8.1 Exploded views





ECO. 55S+/TA



8.2 Spare parts list

No.	Part no.	Description	Qty
1	055T.1001Z	ECO.55S+/T motor unit 220V ext. cable	1
	055T.1001ZA	ECO.55S+/T motor unit 110V ext. cable	
2	050.0106	Screw 4.8 x 45	8
3	050.0059	Protective cover 53x35	1
4	050.1013	LED screen	1
5	050.0060	Screw M3 x 5	6
6	050.0133	End plate	2
7	050.0130Z	End cover 110V / 220V	1
7A	P020.0278	LED indicator set 220V	1
	P020.0278A	LED indicator set 110V	
8	032T.0019XA	Screw M3 x 8	2
9	055S+TA.0011	Top PCB 220V	1
	055S+TA.0011A	Top PCB 110V	
10	055.1029	Carbon brush holder	2
12			
13			
14			
15			
16			
11(A)	Carbon.55+	Carbon brush set 220V	1
	Carbon.55A+	Carbon brush set 110V	
17	050.0586	Cable housing	1
18	050T.0002	Control unit 1 220V	1
	050T.0003	Control unit 1 110V	
19	050.0131	Housing	1
19A	CS050T.0342	Cable set	1
20	050.0587	Screw 5 x 30	4
21	050T.0278	Field 220V	1
	050T.0278A	Field 110V	
22	020.0328	Screw M4 x 70	2
23	050.0261	Baffle	1
24	050T.0346	Rubber ring	1
25	050T.0180	Ring magnet	1
26	032.0126	Bearing 608ZZ 8x22x7	1
27A	050T.0183	Armature 220V	1
	050T.0183A	Armature 110V	
28	032.0166	Circlip 472/28/1.2	1
29	050.9070	Bearing 6001V V	1
30	050.0064	Oil bearing 15x21x3	1
31	050.0236/Y	Inner gear plate	1
32	040.0161	Needle bearing	3

No.	Part no.	Description	Qty
33	050.0065	Metal ring \varnothing 40	1
34	100.0571	Circlip 471 11 x 1	1
35	050.0071	O-ring 82 x 1.8	1
36	050.0207	Gasket middle	1
37	050.0252	Gear assembly	1
38	050.0171	Gear 34/40Z	1
39	050.0231	Axle 13T	1
40	040.0301	Key	1
41	020.0156	Bolt M6 x 20	1
42	050.0074	Rack - 1.5X39T	1
43	050.0076	Circlip \varnothing 20	1
44	050.0463	Gear 1 x 45T	1
45	050.0462	Washer 20.5 x 28 x 0.2	1
46	030.0009	Bearing 6004 DDU	1
47	050.0066	Oil bearing 28 x 38 x 7	1
48	050.0078	Ring 41.5 x 36.5 x 1.5	1
49	050.1014	Gear switch	1
50	050.0081	O-ring	1
51	050.0025	Pin 4 x 10	1
52	020.0329	Screw M4 x 16	1
53	050.0082	Screw holder	1
54	050.1005A	Clutch shaft	1
55	032.0211	Casing pin 4 x 12	1
56	KSP.MS	Screw M5 x 10	3
57	KSP.M/3	Tank holder	1
58	050.1015	Gear casing ECO.55 110V/220V	1
59	050.0068	Bearing 61906 DDU	1
60	020.0146	Screw M6 x 25	1
61	020.0111	Washer M6 DIN7980	1
62	050.0077	Key 6 x 6 x 12	1
63	050.0461	Spindle drive shaft 34 x 146 #3	1
64	020.0086/X	Rail set Aluminium (L/R) L-profile	1
65			
66	100.0022	Bolt M5 x 20	6
67	020.0101	Panel screw BKVZ M4x8	4
68	PP.RSEU-220	Rear panel EB 220V	1
	PP.RSEU-110	Rear panel EB 110V	
	Diode ECO.55S+/TA	Diode ECO.55S+/TA	1

No.	Part no.	Description	Qty
68A	055T.1029	Speed control unit 220V	1
	055T.1029A	Speed control unit 110V	
75	020.0298	Motor cable clamp	1
76	020.0081	End screw BKVZ M6 x 16	1
77	050.0030	Ender cover Ø36 X 3	1
78	055.0023	Bearing 6902ZZ	1
79	020.0056/S	Screw SS M5 x 6	4
80	055.0006X	Frame	1
81	020.0046	Motor cable cover incl. coupling nut	1
81A	055T.1014	Motor cable complete	1
81B	CS050T.0341/2	Cable set	1
82	020.0041	Coupling nut PG9 (motor cable)	2
83	050.0056	Stepper motor	1
84	050.0028	Washer 25 x 37 x 3.0	1
85	040.0086	Bearing 6001 DDU	1
86	055.0016	Screw M4 x 5	1
87	050.0042	Worm 1 x 0.9	1
88	055.0008	Bearing 628 7-ZZ	1
89	050.0033X-01	Gear box plate	1
90	020.0086/S	Rail screw Mark II frame SS M4x20	2
98	030.0030X	Arm for capstan	3
99	055.0020	Drilling rocker arms	3
102A	055.1003	Capstan hub assembly / auto on-off	1
103	050.0027	Washer Ø36 x Ø42 x 0.2	1
104	055.0017	Bearing 61907	1
105	050.0044	Circlip Ø35	1
106	050.0041	Turbine 50 x 0.9	1
107	050.0029	Washer Ø28.5 x Ø38 x 2.0	1
108	050.0045	Circlip Ø28	1
109	032.1016	Main cable set 220V EU	1
	032.1016A	Main cable set 110V US	
	020.0036/AU	Main cable Australia	
	020.0036/UK	Main cable UK 220V	
	020.0036/UK 110-16A	Main cable UK 110V	
	020.0031	Coupling nut PG11	
13	020.0182	Grounding screw/washer/nut	1
110			
111			

No.	Part no.	Description	Qty
112	020.0037	Cable clamp complete	1
113			
114			
115	020.0257	Capacitance	1
116	055.0018	PCB box-2	1
117	055.0007	Drive board	1
118	055.0019	PCB box-1	1
119	032T.0019XA	Screw M3 x 8	3
120	050.0048	Panel washer	1
121	032T.0003	Panel screw long	4
122	055TA.B050Z	Front panel ECO.55S+/TA 220V	1
	055TA.B050ZA	Front panel ECO.55S+/TA 110V	
123	055.0022	Screw M4 x 12	8
124	100.0152	R/L switch (push) 1800W	1
125	BY20.0006B	Motor switch 220V	1
	030E.0092/Y	Motor switch 110V	
126	020.0017	Fuse 5 x 20 F2A	1
127	020.0016	Fuse holder	1
128	020.0011/1	Magnet switch	1
129	020.0206	LED indicator set	1
130	050T.1009	Potentiometer (turn) knob	1
131	055.0024	Washer	1
132	020.0112	Washer M6	4
133	100.1008	Sensor	1
134	055.1041	Gyroscope PCB set	1
135	050T.1022	Magnet 220V	1
	050T.1022A	Magnet 110V	
200	CAS.55A	Case	1
201	KSP.Q2	Coolant tank Quick Connect	1
202	IBO.0.2L	Bottle 0.2LTR	1
203	PRM.61	EUROBOOR working gloves size M	1
	PRM.62	EUROBOOR working gloves size L	
	PRM.63	EUROBOOR working gloves size XL	
204	SAF.400	Safety chain (1 mtr) with lock	1
205	KSP.P	Pin and knob for cooling tank	1
206	SAF.200	Ear plugs	1
207	IMB.US2.5	Allen key 2.5 mm	1
209	IMB.US4	Allen key 4.0 mm	1
210	IMB.US5	Allen key 5.0 mm	1

No.	Part no.	Description	Qty
211	SAF.100	Safety goggles	1
212	DRIFT3	Drift key MT3	1
213	SAF.MDMB	Safety guard	1
214	020.0223	Screw M5 x 10	2
215	IMC.30/19-N	Arbor MT3 - 19.05 (3/4") Weldon	1
216	TCM.10D376	Tap holder DIN376 M10 Ø7	1
217	TCM.12D376	Tap holder DIN376 M12 Ø9	1
218	TCM.14D376	Tap holder DIN376 M14 Ø11	1

No.	Part no.	Description	Qty
219	TCM.16D376	Tap holder DIN376 M16 Ø12	1
216	TCM.3/8ANSI	Tap holder ANSI 3/8"	1
217	TCM.7/16ANSI	Tap holder ANSI 7/16"	1
218	TCM.1/2"ANSI	Tap holder ANSI 1/2"	1
219	TCM.5/8ANSI	Tap holder ANSI 5/8"	1
	IBO.G101	Gear box oil 1 LTR	1
	IBO.6001	Tapping oil 1 LTR	1
	IBP.70	Cutting paste 1 LTR	1